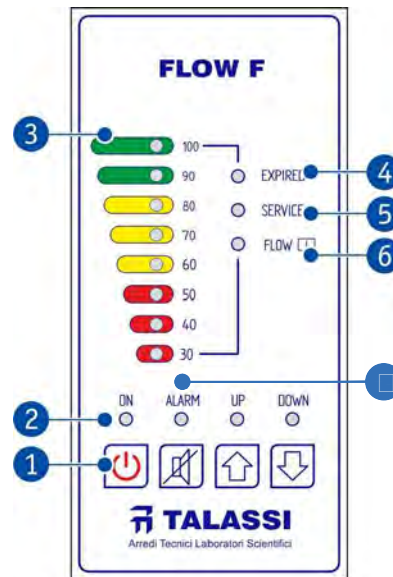


Cap CONTROLLO FILTRI MA95FLOW

Accessori FLOW Filter saturation control
Accessories FLO

SISTEMA DI CONTROLLO EFFICIENZA SISTEMI FILTRATI, DEDICATO A: CAPPE CHIMICHE, ARMADI ASPIRATI

Efficiency control of filters systems, dedicated to: chemical hoods and aspired cabinets



LEGENDA:

- 1/2 - On / Off
- 3 - Misura rilevata
- 4 - Scadenza filtri
- 5 - Superamento ore di lavoro
- 6 - Differenza pressione oltre il limite impostato
- 7 - Tacitazione allarme acustico

LEGEND:

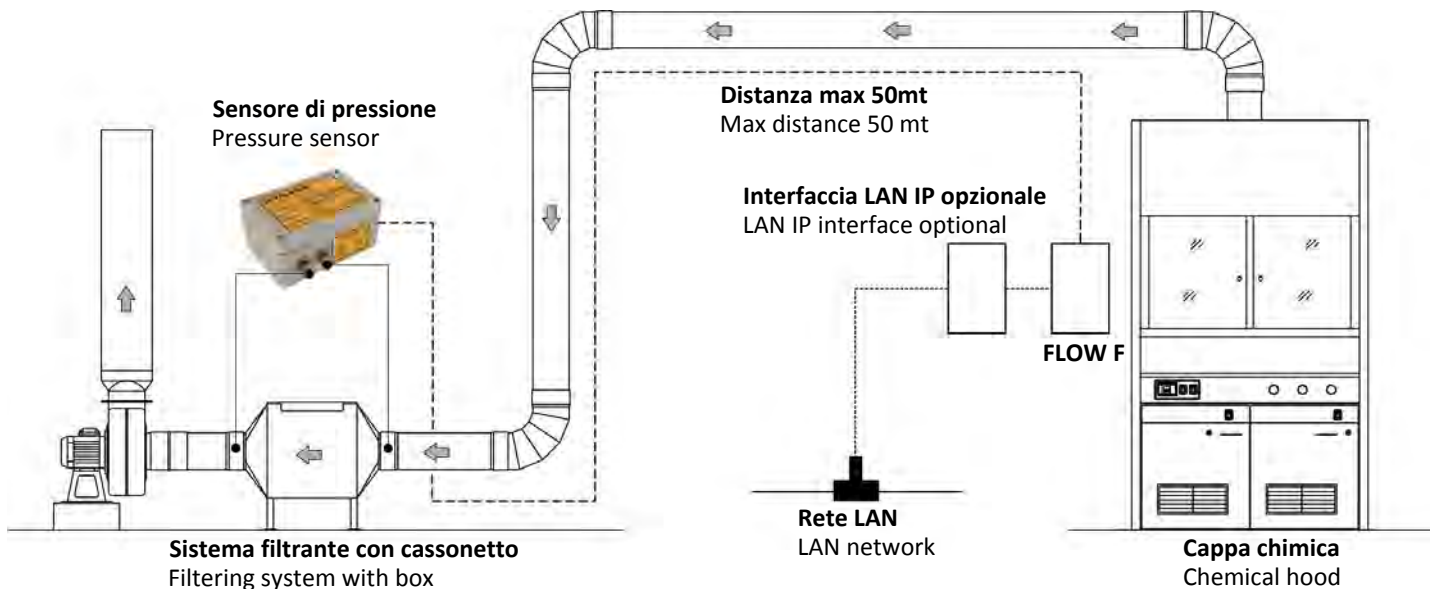
- 1/2 - On / Off
- 3 - Detected measure
- 4 - Filters expiry date
- 5 - Working hours limit exceeded
- 6 - Pressure difference over the setted limit
- 7 - Alarm silencer

ACCESSORI CAPPE
Chemical hood accessories

**MA95
EVO**

MA90

INSTALLAZIONE TIPICA / Typical installation





MA95
EVO

MA90

- MA902503 - VSB 20 trifase hp 0,25 950 mc/ora**
VSB 20 three-phase hp 0,25 950 mc/now
- MA902506 - VSB 25 trifase hp 0,75 1200 mc/ora**
VSB 25 three-phase hp 0,75 1200 mc/now
- MA902509 - VSB 30 trifase hp 1,5 1500 mc/ora**
VSB 30 three-phase hp 1,5 1500 mc/now



Filterbox / Filterbox



Installazione / Installation

ACCESSORI CAPPE
Chemical hood accessories

MA95
EVO

MA90

MA902084 - CARB006PN cassonetto 6 filtri 900 mc/ora - L 125 - P 80 - H 70

- CARB006PN activated charcoal filtering box 6 filters 900 mc/now - L 125 - P 80 - H 70

MA902085 - CARB008PN cassonetto 8 filtri 1200 mc/ora - L 120 - P 63 - H 60

- CARB008PN activated charcoal filtering box 8 filters 1200 mc/now - L 120 - P 63 - H 60

MA902086 - CARB010PN cassonetto 10 filtri 1500 mc/ora - L 125 - P 80 - H 70

- CARB010PN activated charcoal filtering box 10 filters 1500 mc/now - L 125 - P 80 - H 70

MA902084RBAA - CARB006PR cassonetto PVC 6 filtri 900 mc/ora - L 125 - P 80 - H 70

- CARB006PR activated charcoal filtering box 6 filters 900 mc/now - L 125 - P 80 - H 70

MA902085RBAA - CARB008PR cassonetto PVC 8 filtri 1200 mc/ora - L 120 - P 63 - H 60

- CARB008PR activated charcoal filtering box 8 filters 1200 mc/now - L 120 - P 63 - H 60

MA902086RBAA - CARB010PR cassonetto PVC 10 filtri 1500 mc/ora - L 125 - P 80 - H 70

- CARB010PR activated charcoal filtering box 10 filters 1500 mc/now - L 125 - P 80 - H 70

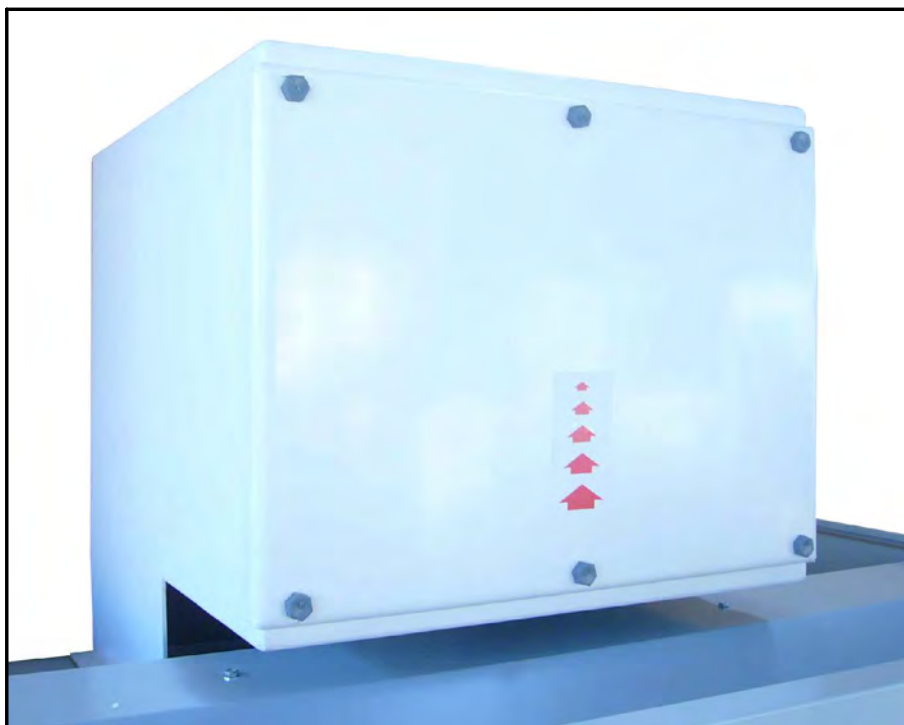
RBAA = Per acidi / For acids

Cap

Accessori CAS
Accessories CAS

CASSONETTO PVC ai CARBONI ATTIVI (sopra cappa) Activated charcoal filtering box (positioned on the ceiling of the fume hood)

TALASSI
ISO 9001 / ISO 14001 / OHSAS 18001



ACCESSORI CAPPE
Chemical hood accessories

**MA95
EVO**

MA90

- MA902300 - Cassonetto EBOX 6 celle carboni attivi NORMAL - L 52 - P 58 - H 58**
- Activated charcoal filtering box, 6 filters NORMAL - L 52 - P 58 - H 58
- MA902301 - Cassonetto EBOX 6 celle carboni attivi RBAA - L 52 - P 58 - H 58**
- Activated charcoal filtering box, 6 filters RBAA - L 52 - P 58 - H 58
- MA902305 - Cassonetto EBOX 8 celle carboni attivi NORMAL - L 52 - P 58 - H 58**
- Activated charcoal filtering box, 8 filters NORMAL - L 52 - P 58 - H 58
- MA902306 - Cassonetto EBOX 8 celle carboni attivi RBAA - L 52 - P 58 - H 58**
- Activated charcoal filtering box, 8 filters RBAA - L 52 - P 58 - H 58
- MA902310 - Cassonetto EBOX 10 celle carboni attivi NORMAL - L 52 - P 58 - H 58**
- Activated charcoal filtering box, 10 filters NORMAL - L 52 - P 58 - H 58
- MA902311 - Cassonetto EBOX 10 celle carboni attivi RBAA - L 52 - P 58 - H 58**
- Activated charcoal filtering box, 10 filters RBAA - L 52 - P 58 - H 58

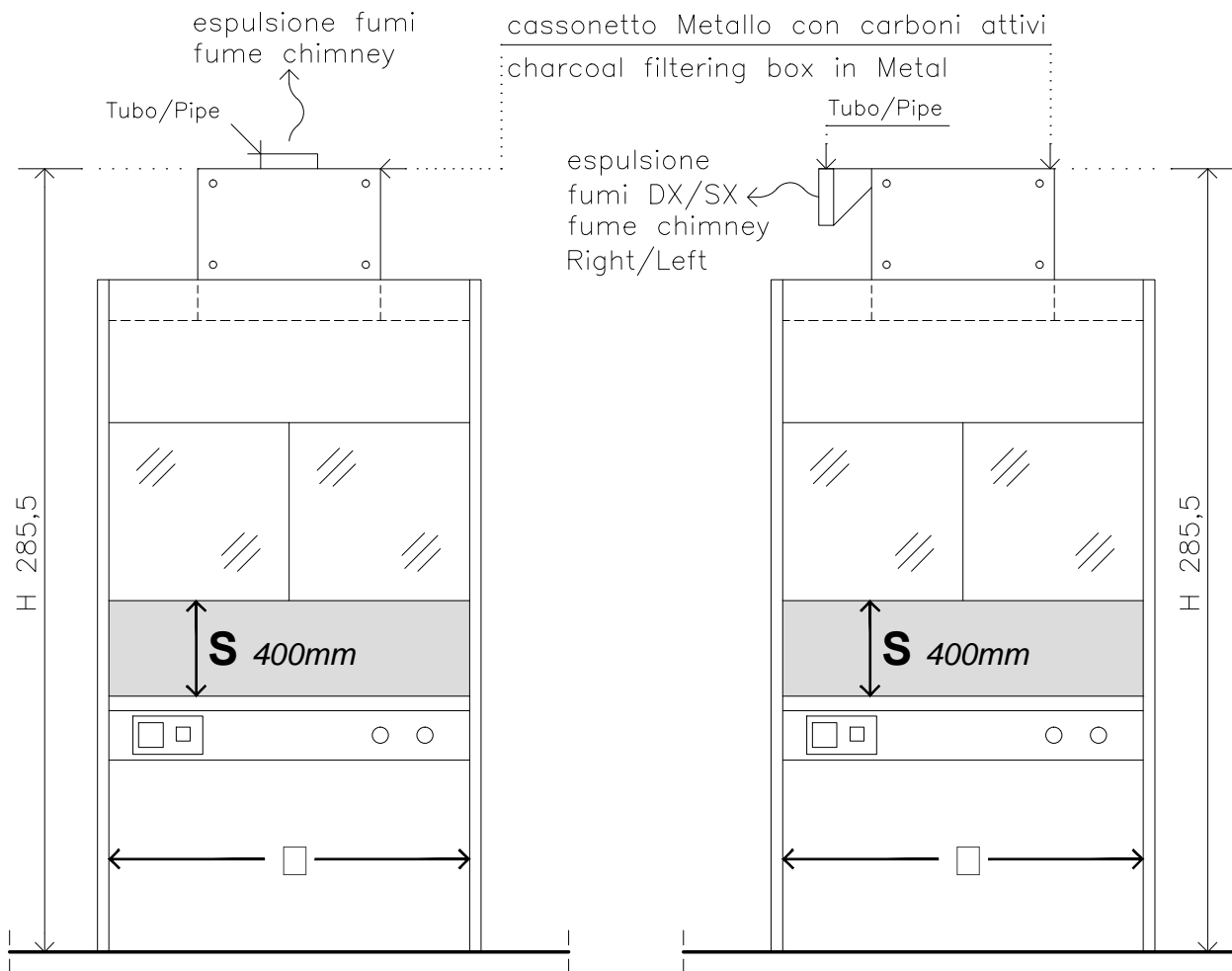
RBAA = Per acidi / For acids

Cap

Accessori CAS
Accessories CAS

CASSONETTO in METALLO ai CARBONI ATTIVI (sopra cappa) Activated charcoal filtering box (positioned on the ceiling of the fume hood)

TALASSI
ISO 9001 / ISO 14001 / OHSAS 18001



ACCESSORI CAPPE
Chemical hood accessories

**MA95
EVO**

MA90

Cap FIRE STOP / Fire stop

Accessori CAS
Accessories CAS

UN SISTEMA COMPLETO DI RILEVAMENTO E SPEGNIMENTO PRONTO ALL'USO PER CAPPE ASPIRANTI

A complete detection & suppression system pre-engineered for fume cabinets

- Installazione semplice / flessibile
- Spegnimento rapido ed efficace
- Elevata affidabilità: assenza di componenti elettrici o mobili
- Easy / Flexible installation
- Quick & Effective suppression
- Highly Dependable: no electricity or moving parts



ACCESSORI CAPPE
Chemical hood accessories

**MA95
EVO**

MA90

TUTTO IL NECESSARIO IN UNA SCATOLA
Everything you need together in one box



RIDUCE PERSINO I RISCHI DI INCENDIO PIÙ GRAVI PER LE CAPPE ASPIRANTI:

- Agenti chimici infiammabili o reattivi vicino a fiamme libere
- Lesioni per il tecnico
- Danni alle apparecchiature e alle aree di laboratorio periferiche
- Fermo lavori
- Pulizia estesa se il sistema d'irrigazione viene azionato

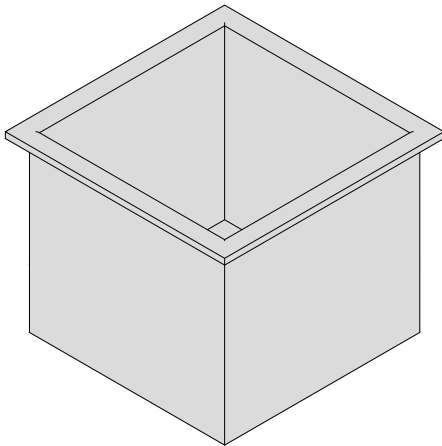
REDUCES EVEN THE MOST CRITICAL FUME HOOD FIRE RISKS:

- Flammable or reactive chemicals near open flame
- Technician injury
- Damage to equipment and peripheral lab areas
- Work stoppage
- Extensive cleanup if sprinkler system actuates

Cap VASCHE DA INCASSO

Accessori VAS
Accessories VAS

Built-in sinks



VASCHE INOX AISI 304

Inox AISI 304 sinks

MA907501

Dimensioni interne | $\varnothing 14 \times p \varnothing 14 \times h 15$
Internal dimensions | $\varnothing 14 \times p \varnothing 14 \times h 15$

MA907502

Dimensioni interne | $23 \times p 33 \times h 20$
Internal dimensions | $23 \times p 33 \times h 20$

MA907503

Dimensioni interne | $33 \times p 33 \times h 20$
Internal dimensions | $30 \times p 30 \times h 20$

MA907504

Dimensioni interne | $40 \times p 40 \times h 20$
Internal dimensions | $40 \times p 40 \times h 20$

MA907505

Dimensioni interne | $40 \times p 40 \times h 30$
Internal dimensions | $40 \times p 40 \times h 30$

MA907506

Dimensioni interne | $50 \times p 40 \times h 30$
Internal dimensions | $50 \times p 40 \times h 30$

VASCHE IN POLIPROPILENE

Polypropylene sinks

MA907507

Dimensioni interne | $25 \times p 10 \times h 20$
Internal dimensions | $25 \times p 10 \times h 20$

MA907508

Dimensioni interne | $30 \times p 30 \times h 20$
Internal dimensions | $30 \times p 30 \times h 20$

MA907509

Dimensioni interne | $40 \times p 40 \times h 30$
Internal dimensions | $40 \times p 40 \times h 30$

MA907510

Dimensioni interne | $50 \times p 40 \times h 30$
Internal dimensions | $50 \times p 40 \times h 30$

VASCHE IN GRES MONOLITICO

Monolithic gres sinks

MA907512

Dimensioni interne | $\varnothing 11 \times p \varnothing 11 \times h 11$
Internal dimensions | $\varnothing 11 \times p \varnothing 11 \times h 11$

MA907513

Dimensioni interne | $25,5 \times p 11,5 \times h 10$
Internal dimensions | $25,5 \times p 11,5 \times h 10$

MA907514

Dimensioni interne | $24,6 \times p 10 \times h 10,5$
Internal dimensions | $24,6 \times p 10 \times h 10,5$

MA907515

Dimensioni interne | $24,8 \times p 24,8 \times h 17$
Internal dimensions | $24,8 \times p 24,8 \times h 17$

MA907516

Dimensioni interne | $34,5 \times p 34,5 \times h 31$
Internal dimensions | $34,5 \times p 34,5 \times h 31$

MA907517

Dimensioni interne | $39,2 \times p 39,2 \times h 31$
Internal dimensions | $39,2 \times p 39,2 \times h 31$

MA907518

Dimensioni interne | $34,5 \times p 44,5 \times h 31$
Internal dimensions | $34,5 \times p 44,5 \times h 31$

MA907519

Dimensioni interne | $39 \times p 48,5 \times h 31$
Internal dimensions | $39 \times p 48,5 \times h 31$

MA907520

Dimensioni interne | $49 \times p 37 \times h 23,5$
Internal dimensions | $49 \times p 37 \times h 23,5$

VASCHE RESINA EPOSSIDICA (DURCON)

Sinks in epoxy resin (Durcon)

MA907550

Dimensioni interne | $30 \times p 15 \times h 15$
Internal dimensions | $30 \times p 15 \times h 15$

MA907551

Dimensioni interne | $40 \times p 40 \times h 19$
Internal dimensions | $40 \times p 40 \times h 19$

MA907552

Dimensioni interne | $45 \times p 35 \times h 26$
Internal dimensions | $45 \times p 35 \times h 26$

MA907553

Dimensioni interne | $61 \times p 46 \times h 42$
Internal dimensions | $61 \times p 46 \times h 42$

VASCHE CORIAN BIANCO

Sinks in white Corian

MA907530

Dimensioni interne | $30 \times p 15 \times h 15$
Internal dimensions | $30 \times p 15 \times h 15$

MA907535

Dimensioni interne | $40 \times p 40 \times h 25$
Internal dimensions | $40 \times p 40 \times h 25$

CAPPE CHIMICHE
Chemical fume hood

MA95
EVO

MA90

Certificati / Certificates: EN 61010-1 / EN 16121



MA902180

Armadio basso aspirato - Metallo / Extraction filtering cabinet - Metal
L 60 - P 45 - H 67



MA902190

Armadio basso aspirato - Metallo / Extraction filtering cabinet - Metal
L 90 - P 45 - H 67

ACCESSORI CAPPE
Chemical hood accessories

MA95
EVO

MA90

Cap

Armadi inf
Cupboard fla

ARMADI LINEA SAFETYBOX® (per infiammabili)
Safetybox® for flammable products

Certificati / Certificates: EN 14470-1 / EN 16121



AC 600/50CM
Armadio per infiammabili - 15 litri
Safety storage cabinet - 15 liters
L 59,5 - P 51/53 - H 60/62
Peso / Weight : 100 KG



AC 600/50CMD
Armadio per infiammabili - 15 litri
Safety storage cabinet - 15 liters
L 59,5 - P 51/58,5 - H 60/62
Peso / Weight : 110 KG



AC 900/50CM
Armadio per infiammabili - 25 litri
Safety storage cabinet - 25 liters
L 90 - P 51/53 - H 60/62
Peso / Weight : 146 KG



AC 900/50CMD
Armadio per infiammabili - 20 litri
Safety storage cabinet - 25 liters
L 90 - P 51/53 - H 60/62
Peso / Weight : 146 KG



AC 1200/50CM
Armadio per infiammabili - 30 litri
Safety storage cabinet - 30 liters
L 110 - P 51/53 - H 60/62
Peso / Weight : 175 KG



AC 1200/50CMD
Armadio per infiammabili - 30 litri
Safety storage cabinet - 30 liters
L 110 - P 51/53 - H 60/62
Peso / Weight : 220 KG



AC 1200/50CMDD
Armadio per infiammabili - 30 litri / Safety storage cabinet - 30 liters
L 110 - P 51/58,5 - H 60/62 - Peso / Weight : 220 KG

ACCESSORI CAPPE
Chemical hood accessories

MA95
EVO

MA90